

NOTES:

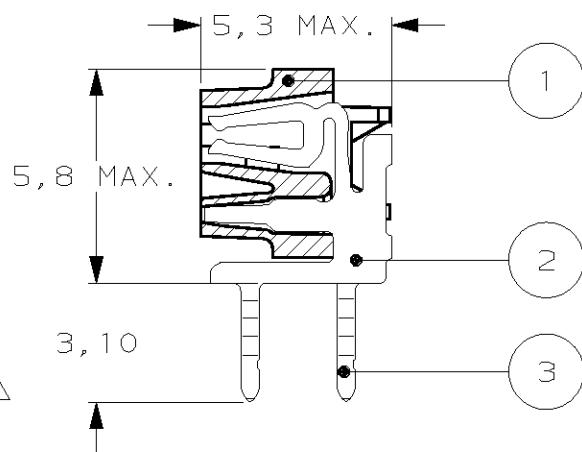
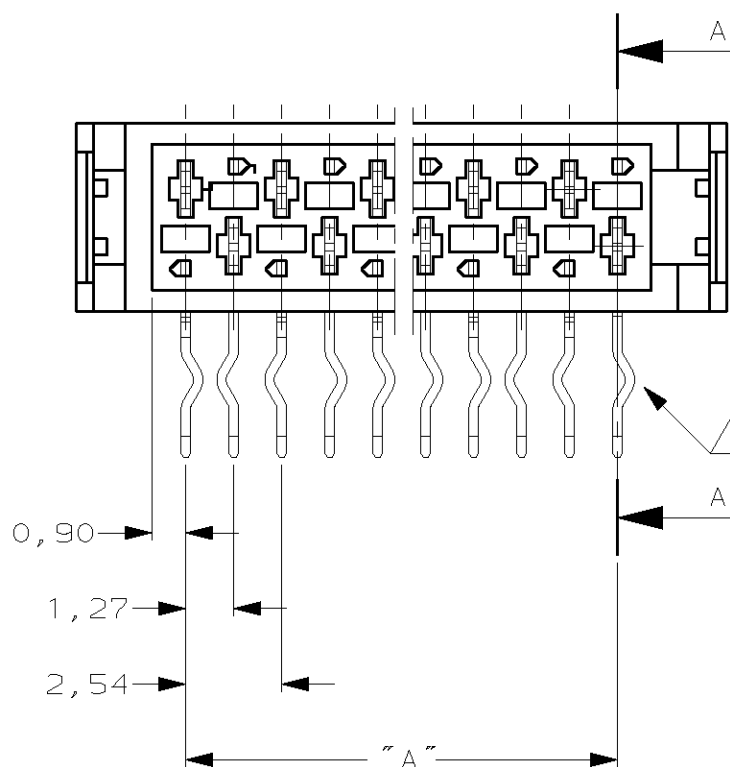
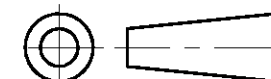
- 1 THIS AREA IS RESERVED FOR CONTACTS
- 2 DIRECTION OF KINK OPTIONAL.
- 3 PRODUCT SPECIFICATION: 108-19052

DO NOT SCALE

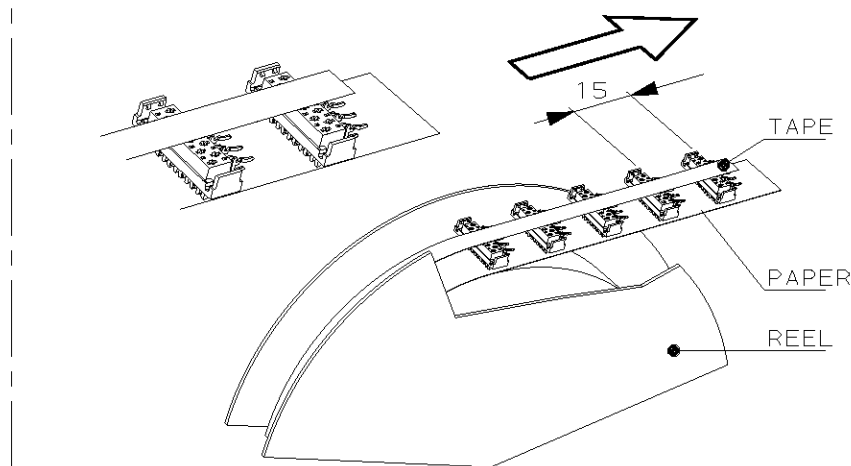
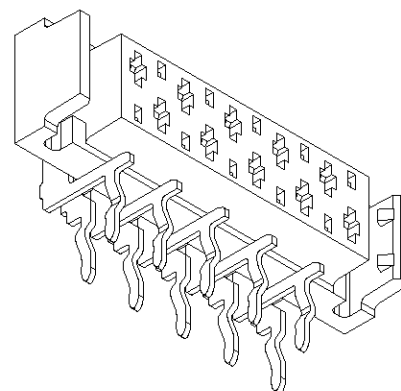
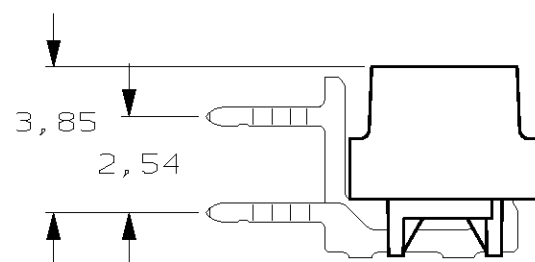
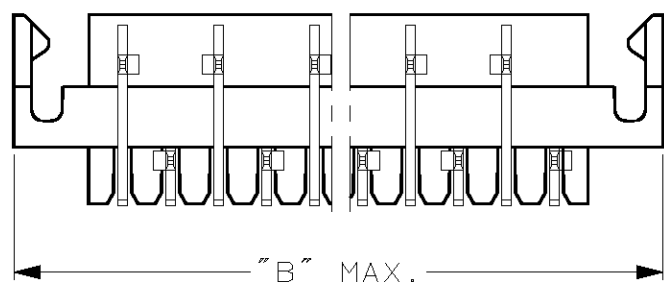
DIMENSIONS IN mm

METRIC

THIRD ANGLE
PROJECTION

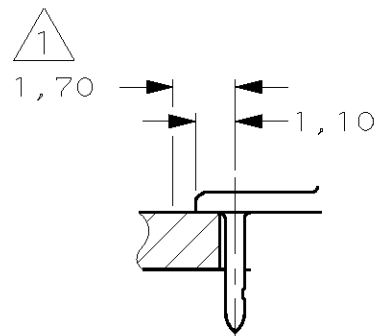
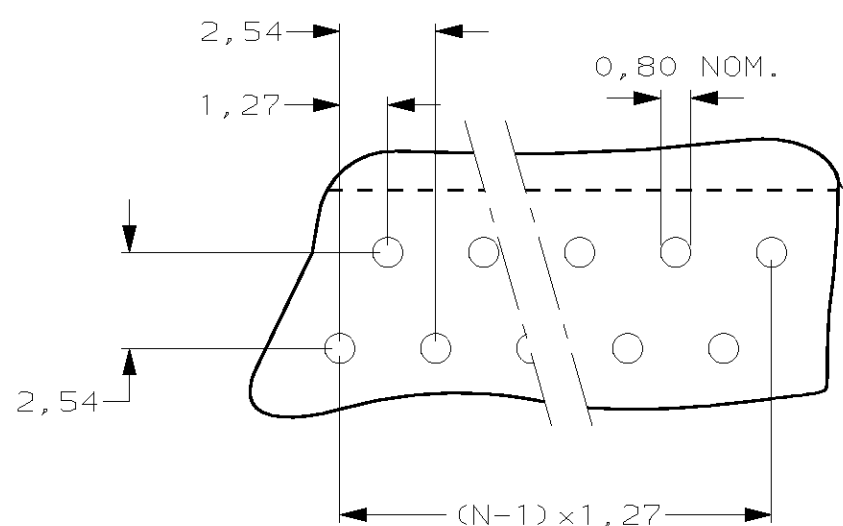


SECTION A-A



REEL PACKAGING

DEREELING DIRECTION AND CONNECTOR POSITION.
QUANTITY 2500 CONNECTORS PER REEL FOR ALL PARTNUMBERS,
EXCEPT 4 POSITION 1500 CONNECTORS PER REEL.



RECOMMENDED PCB-HOLE LAY-OUT
NOT SOLDER SIDE SHOWN

PARTNUMBERS REEL PACKAGING	NUMBER OF POSITIONS	"A"	"B"
0-338070-4	4	3,81	9,7
0-338070-6	6	6,35	12,2
0-338070-8	8	8,89	14,7
1-338070-0	10	11,43	17,3
1-338070-2	12	13,97	19,8
1-338070-4	14	16,51	22,4
1-338070-6	16	19,05	24,9
1-338070-8	18	21,59	27,4
2-338070-0	20	24,13	30,0

FINISH		MATERIAL		DESCRIPTION	ITEM
TIN OVER NICKEL PLATING.		PHOSPHORBRONZE		FEMALE CONTACT	3
TIN OVER NICKEL PLATING.		PHOSPHORBRONZE		FEMALE CONTACT	2
		GLASS FILLED POLYESTER (RED)		HOUSING	1
CUSTOMER DRAWING					FOR REFERENCE ONLY WILL NOT BE UPDATED
E	EHC0-0337-04	JvdH	EL	17 JUN 04	© COPYRIGHT 19- BY AMP-HOLLAND B.V. ALL INTERNATIONAL RIGHTS RESERVED. AMP PRODUCTS MAY BE COVERED BY U.S. AND FOREIGN AND/OR PATENTS PENDING. THIS DRAWING IS UNPUBLISHED RELEASED FOR PUBLICATION, 19-
D	EH01-0232-04	JvdH	EL	16 FEB 04	
C	EH01-0506-03	JvdH	RV	03 JUN 03	
B	EH-1337-97	D.K.	MvD	26 NOV 97	
A	EH-0798-97	D.K.	R.H.	22 JUL 97	
O	-	DK	HvD	03 JUN 96	AMP AMP-HOLLAND B.V. 's-Hertogenbosch, The Netherlands.
LTR. REVISION RECORD DR. CHK. DATE					NAME
DR.: DENNIS KESSLER CHK.: HUUB van DELFT APP.: ERIC LEIJTENS					Micro-MaTch FEMALE ON BOARD
DATE: 03 JUN 96 DATE: - DATE: -					SIDE ENTRY WITH LOCKING
DWG.No. C-338070					REV.LTR. E
					SHEET 1 OF 1
					A3